

Product datasheet

Specifications



servo motor BCH, no oil seal, w key, 20-bit encoder, w brake-straight con

BCH0602O12F1C

! Discontinued on: 31 December 2018

! To be end-of-service on: 31 December 2023

! Discontinued - Service only

Main

Range compatibility	Lexium 23 Plus
Product or component type	Servo motor
Device short name	BCH

Complementary

Maximum mechanical speed	5000 rpm
[Us] rated supply voltage	220 V
Network number of phases	Single phase
Continuous stall current	2.6 A
Continuous power	0.4 kW
Shaft end	Keyed
Second shaft	Without second shaft end
Shaft diameter	14 mm
Shaft length	24 mm
Key width	5 mm
Feedback type	20 bits incremental encoder
Holding brake	With
Holding torque	1.3 N.m
Mounting support	Asian standard flange
Motor flange size	60 mm
Torque constant	0.49 N.m/A
Back emf constant	17.4 V/krpm at 20 °C
Rotor inertia	0.3 kg.cm ²
Stator resistance	3.1 Ohm at 20 °C
Stator inductance	13.42 mH at 20 °C
Stator electrical time constant	4.3 ms at 20 °C
Maximum radial force Fr	196 N
Maximum axial force Fa	68 N

Brake pull-in power	6.5 W
Type of cooling	Natural convection
Length	166.8 mm
Number of motor stacks	2
Centring collar diameter	50 mm
Centring collar depth	3 mm
Number of mounting holes	4
Mounting holes diameter	5.5 mm
Circle diameter of the mounting holes	70 mm
Distance shaft shoulder-flange	24 mm
Net weight	2 kg

Environment

IP degree of protection	IP40
Ambient air temperature for operation	0...40 °C

Packing Units

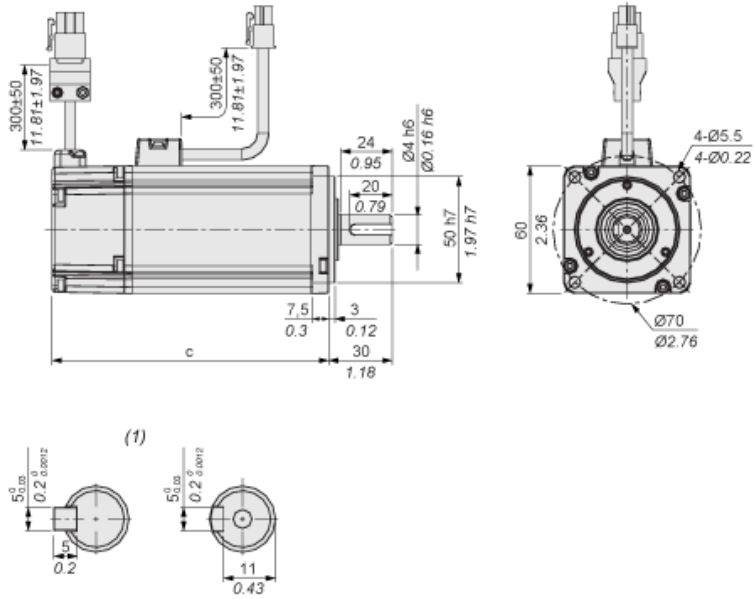
Unit Type of Package 1	PCE
Number of Units in Package 1	1
Package 1 Height	19.0 cm
Package 1 Width	15.0 cm
Package 1 Length	26.0 cm
Package 1 Weight	2.416 kg
Unit Type of Package 2	S06
Number of Units in Package 2	30
Package 2 Height	73.5 cm
Package 2 Width	60.0 cm
Package 2 Length	80.0 cm
Package 2 Weight	85.48 kg

Contractual warranty

Warranty	18 months
-----------------	-----------

Dimensions

mm
in.



(1) Shaft end, keyed slot (optional)

Dimensions in mm

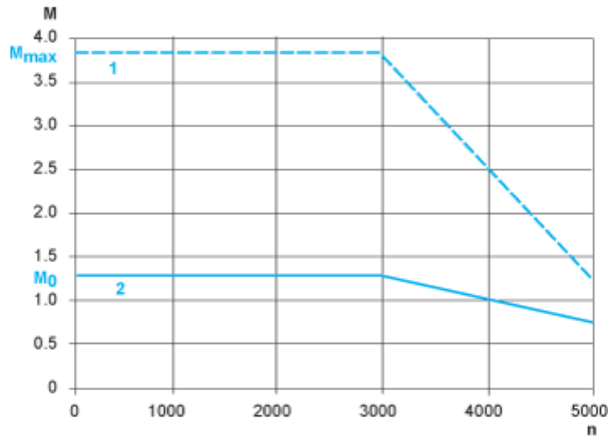
c (without holding brake)	c (with holding brake)
130.7	166.8

Dimensions in in.

c (without holding brake)	c (with holding brake)
5.14	6.57

Torque/Speed Curves with 220 V Single Phase Supply Voltage

Servo Motor with LXM23•U04M3X Servo Drive



- M : Torque in Nm
- n : Speed in rpm
- 1 : Peak torque
- 2 : Continuous torque

Recommended replacement(s)

BCH0602O12F1C is replaced by:

1x



servo motor BCH, Lexium 28, 60mm, 400W, without oil seal, smooth, brake, leads connection
BCH2LD0430CF5C
